

ID	Task Name	Duration	Start	Finish	Predecessor	December	January	February	March	April	May	June	July	August	September	October	November
						Dec	Jan	Feb	Mar	Apr	May	Jun	Jul	Aug	Sep	Oct	Nov
1	Notice of Award of Project	1 day	Thu 12/28/06	Thu 12/28/06			City of Sioux Falls										
2	DSI Internal Project Set-up	9 days	Fri 12/29/06	Wed 1/10/07	1		DSI										
3	Preconstruction Meeting w/ City of Sioux Falls	1 day	Thu 1/11/07	Thu 1/11/07	2		CSF,DSI										
4	Issuance of Subcontractor Contracts	2 days	Fri 1/12/07	Mon 1/15/07	3		DSI										
5	Development of Submittals	18 days	Mon 1/8/07	Wed 1/31/07			DSI										
6	Submittal Review & Approval	10 days	Thu 2/1/07	Wed 2/14/07	5			HDR									
7	Control Panel Component Procurement	30 days	Thu 2/15/07	Wed 3/28/07	6				BSE								
8	Control Panel Assembly	40 days	Thu 3/29/07	Wed 5/23/07	7					DSI							
9	Well Site - Instrumentation Procurement	40 days	Thu 2/15/07	Wed 4/11/07	6					E&H							
10	Variable Frequency Drive Procurement	40 days	Thu 2/15/07	Wed 4/11/07	6					BSE							
11	WTR TRMT Facility - INSTR. Procurement	37 days	Thu 2/15/07	Fri 4/6/07	6					E&H							
12	<b>Water Treatment Facility</b>	<b>51 days</b>	<b>Mon 4/9/07</b>	<b>Mon 6/18/07</b>	<b>11</b>												
13	<b>Flowmeter - 1</b>	<b>5 days</b>	<b>Mon 4/9/07</b>	<b>Fri 4/13/07</b>													
14	Mechanical & Electrical Installation	5 days	Mon 4/9/07	Fri 4/13/07						Howe & Muth							
15	Instrument setup	1 day	Fri 4/13/07	Fri 4/13/07						DSI							
16	<b>Flowmeter - 2</b>	<b>5 days</b>	<b>Mon 4/16/07</b>	<b>Fri 4/20/07</b>	<b>13</b>												
17	Mechanical & Electrical Installation	5 days	Mon 4/16/07	Fri 4/20/07	14					Howe & Muth							
18	Instrument setup	1 day	Fri 4/20/07	Fri 4/20/07						DSI							
19	<b>Flowmeter - 3</b>	<b>41 days</b>	<b>Mon 4/23/07</b>	<b>Mon 6/18/07</b>	<b>16</b>												
20	Mechanical & Electrical Installation	5 days	Mon 4/23/07	Fri 4/27/07	17					Howe & Muth							
21	Instrument Setup	1 day	Fri 4/27/07	Fri 4/27/07						DSI							
22	<b>CPR Approval</b>	<b>30 days</b>	<b>Tue 5/8/07</b>	<b>Mon 6/18/07</b>													
23	<b>Well Site - 101</b>	<b>9 days</b>	<b>Tue 6/19/07</b>	<b>Fri 6/29/07</b>	<b>19</b>												
24	Mechanical Installation	3 days	Tue 6/19/07	Thu 6/21/07	20												
25	Electrical Installation	3 days	Fri 6/22/07	Tue 6/26/07	24												
26	Well Site Commissioning & Start-up	3 days	Wed 6/27/07	Fri 6/29/07	25												
27	<b>Well Site - 102</b>	<b>9 days</b>	<b>Fri 6/22/07</b>	<b>Wed 7/4/07</b>													
28	Mechanical Installation	3 days	Fri 6/22/07	Tue 6/26/07	24												
29	Electrical Installation	3 days	Wed 6/27/07	Fri 6/29/07	28,25												
30	Well Site Commissioning & Start-up	3 days	Mon 7/2/07	Wed 7/4/07	29												
31	<b>Well Site - 103</b>	<b>9 days</b>	<b>Wed 6/27/07</b>	<b>Mon 7/9/07</b>													
32	Mechanical Installation	3 days	Wed 6/27/07	Fri 6/29/07	28												
33	Electrical Installation	3 days	Mon 7/2/07	Wed 7/4/07	32,29												
34	Well Site Commissioning & Start-up	3 days	Thu 7/5/07	Mon 7/9/07	33												
35	<b>Well Site - 104</b>	<b>9 days</b>	<b>Mon 7/2/07</b>	<b>Thu 7/12/07</b>													
36	Mechanical Installation	3 days	Mon 7/2/07	Wed 7/4/07	32												
37	Electrical Installation	3 days	Thu 7/5/07	Mon 7/9/07	36,33												
38	Well Site Commissioning & Start-up	3 days	Tue 7/10/07	Thu 7/12/07	37												
39	<b>Well Site - 105</b>	<b>9 days</b>	<b>Thu 7/5/07</b>	<b>Tue 7/17/07</b>													
40	Mechanical Installation	3 days	Thu 7/5/07	Mon 7/9/07	36												
41	Electrical Installation	3 days	Tue 7/10/07	Thu 7/12/07	40,37												
42	Well Site Commissioning & Start-up	3 days	Fri 7/13/07	Tue 7/17/07	41												
43	<b>Well Site - 106</b>	<b>9 days</b>	<b>Tue 7/10/07</b>	<b>Fri 7/20/07</b>													
44	Mechanical Installation	3 days	Tue 7/10/07	Thu 7/12/07	40												
45	Electrical Installation	3 days	Fri 7/13/07	Tue 7/17/07	44,41												

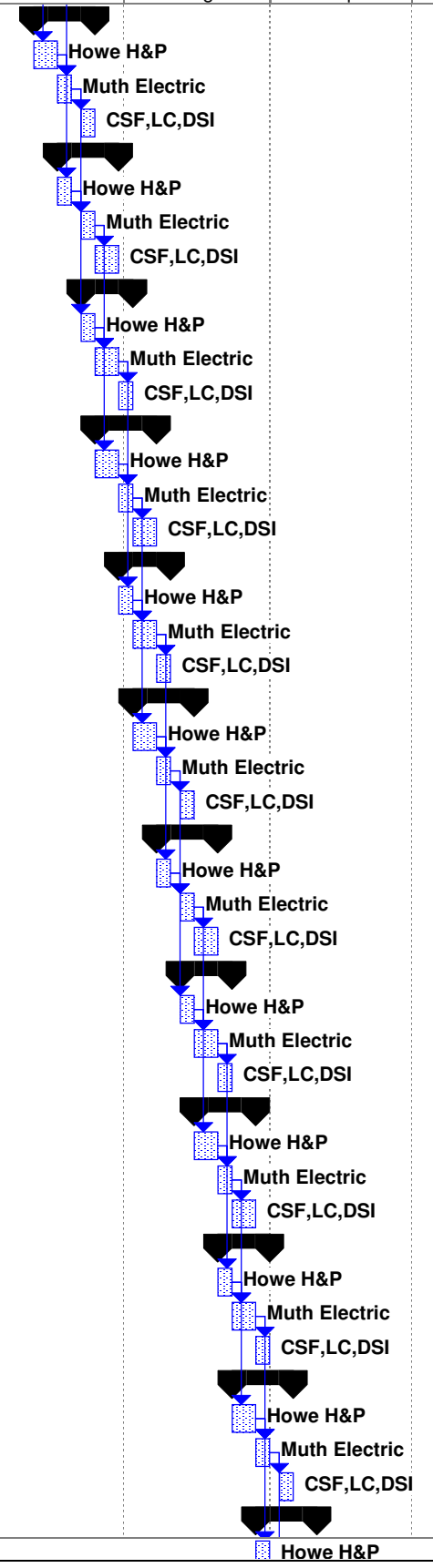
Project: City of Sioux Falls Schedule €  
Date: Mon 6/18/07

Task: [Blue Dotted Box] Progress: [Black Bar] Summary: [Black Arrow] External Tasks: [Grey Box] Deadline: [Green Arrow]

Split: [Blue Dotted Line] Milestone: [Black Diamond] Project Summary: [Grey Arrow] External Milestone: [Grey Diamond]

Page 1

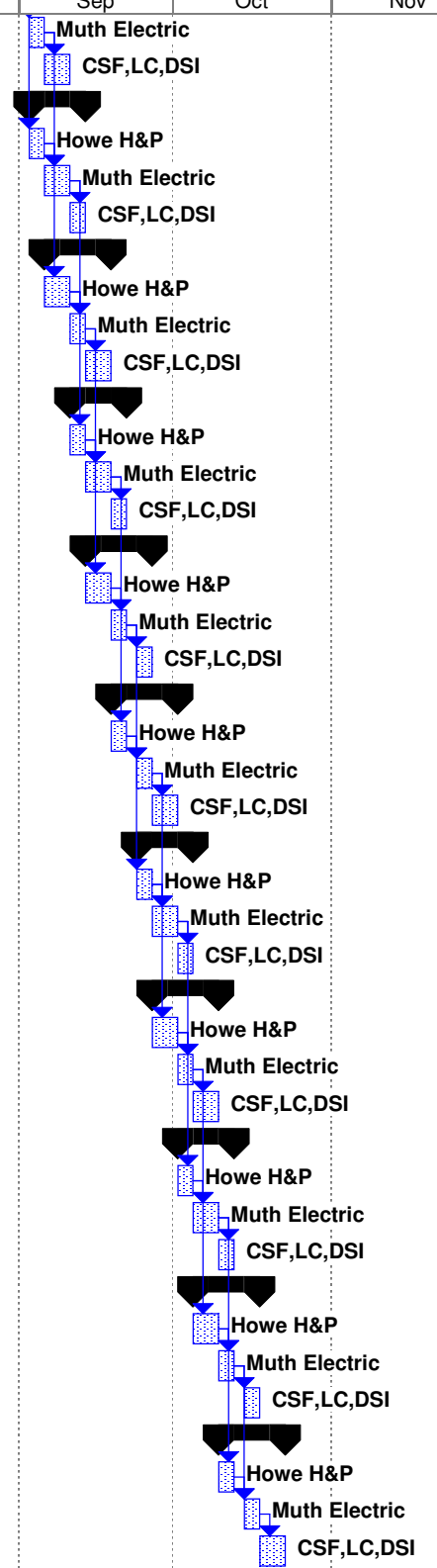
ID	Task Name	Duration	Start	Finish	Predecessor	December	January	February	March	April	May	June	July	August	September	October	November
						Dec	Jan	Feb	Mar	Apr	May	Jun	Jul	Aug	Sep	Oct	Nov
47	<b>Well Site - 107</b>	<b>9 days</b>	<b>Fri 7/13/07</b>	<b>Wed 7/25/07</b>													
48	Mechanical Installation	3 days	Fri 7/13/07	Tue 7/17/07	44												
49	Electrical Installation	3 days	Wed 7/18/07	Fri 7/20/07	48,45												
50	Well Site Commissioning & Start-up	3 days	Mon 7/23/07	Wed 7/25/07	49												
51	<b>Well Site - 109</b>	<b>9 days</b>	<b>Wed 7/18/07</b>	<b>Mon 7/30/07</b>													
52	Mechanical Installation	3 days	Wed 7/18/07	Fri 7/20/07	48												
53	Electrical Installation	3 days	Mon 7/23/07	Wed 7/25/07	52,49												
54	Well Site Commissioning & Start-up	3 days	Thu 7/26/07	Mon 7/30/07	53												
55	<b>Well Site - 110</b>	<b>9 days</b>	<b>Mon 7/23/07</b>	<b>Thu 8/2/07</b>													
56	Mechanical Installation	3 days	Mon 7/23/07	Wed 7/25/07	52												
57	Electrical Installation	3 days	Thu 7/26/07	Mon 7/30/07	56,53												
58	Well Site Commissioning & Start-up	3 days	Tue 7/31/07	Thu 8/2/07	57												
59	<b>Well Site - 111</b>	<b>9 days</b>	<b>Thu 7/26/07</b>	<b>Tue 8/7/07</b>													
60	Mechanical Installation	3 days	Thu 7/26/07	Mon 7/30/07	56												
61	Electrical Installation	3 days	Tue 7/31/07	Thu 8/2/07	60,57												
62	Well Site Commissioning & Start-up	3 days	Fri 8/3/07	Tue 8/7/07	61												
63	<b>Well Site - 112</b>	<b>9 days</b>	<b>Tue 7/31/07</b>	<b>Fri 8/10/07</b>													
64	Mechanical Installation	3 days	Tue 7/31/07	Thu 8/2/07	60												
65	Electrical Installation	3 days	Fri 8/3/07	Tue 8/7/07	64,61												
66	Well Site Commissioning & Start-up	3 days	Wed 8/8/07	Fri 8/10/07	65												
67	<b>Well Site - 113</b>	<b>9 days</b>	<b>Fri 8/3/07</b>	<b>Wed 8/15/07</b>													
68	Mechanical Installation	3 days	Fri 8/3/07	Tue 8/7/07	64												
69	Electrical Installation	3 days	Wed 8/8/07	Fri 8/10/07	68,65												
70	Well Site Commissioning & Start-up	3 days	Mon 8/13/07	Wed 8/15/07	69												
71	<b>Well Site - 114</b>	<b>9 days</b>	<b>Wed 8/8/07</b>	<b>Mon 8/20/07</b>													
72	Mechanical Installation	3 days	Wed 8/8/07	Fri 8/10/07	68												
73	Electrical Installation	3 days	Mon 8/13/07	Wed 8/15/07	72,69												
74	Well Site Commissioning & Start-up	3 days	Thu 8/16/07	Mon 8/20/07	73												
75	<b>Well Site - 4</b>	<b>9 days</b>	<b>Mon 8/13/07</b>	<b>Thu 8/23/07</b>													
76	Mechanical Installation	3 days	Mon 8/13/07	Wed 8/15/07	72												
77	Electrical Installation	3 days	Thu 8/16/07	Mon 8/20/07	76,73												
78	Well Site Commissioning & Start-up	3 days	Tue 8/21/07	Thu 8/23/07	77												
79	<b>Well Site - 15</b>	<b>9 days</b>	<b>Thu 8/16/07</b>	<b>Tue 8/28/07</b>													
80	Mechanical Installation	3 days	Thu 8/16/07	Mon 8/20/07	76												
81	Electrical Installation	3 days	Tue 8/21/07	Thu 8/23/07	80,77												
82	Well Site Commissioning & Start-up	3 days	Fri 8/24/07	Tue 8/28/07	81												
83	<b>Well Site - 21</b>	<b>9 days</b>	<b>Tue 8/21/07</b>	<b>Fri 8/31/07</b>													
84	Mechanical Installation	3 days	Tue 8/21/07	Thu 8/23/07	80												
85	Electrical Installation	3 days	Fri 8/24/07	Tue 8/28/07	84,81												
86	Well Site Commissioning & Start-up	3 days	Wed 8/29/07	Fri 8/31/07	85												
87	<b>Well Site - 26</b>	<b>9 days</b>	<b>Fri 8/24/07</b>	<b>Wed 9/5/07</b>													
88	Mechanical Installation	3 days	Fri 8/24/07	Tue 8/28/07	84												
89	Electrical Installation	3 days	Wed 8/29/07	Fri 8/31/07	88,85												
90	Well Site Commissioning & Start-up	3 days	Mon 9/3/07	Wed 9/5/07	89												
91	<b>Well Site - 29</b>	<b>9 days</b>	<b>Wed 8/29/07</b>	<b>Mon 9/10/07</b>													



Project: City of Sioux Falls Schedule €  
Date: Mon 6/18/07

Task		Progress		Summary		External Tasks		Deadline	
Split		Milestone		Project Summary		External Milestone			

ID	Task Name	Duration	Start	Finish	Predecessor	December	January	February	March	April	May	June	July	August	September	October	November
						Dec	Jan	Feb	Mar	Apr	May	Jun	Jul	Aug	Sep	Oct	Nov
93	Electrical Installation	3 days	Mon 9/3/07	Wed 9/5/07	92,89												
94	Well Site Commissioning & Start-up	3 days	Thu 9/6/07	Mon 9/10/07	93												
95	<b>Well Site - 30</b>	<b>9 days</b>	<b>Mon 9/3/07</b>	<b>Thu 9/13/07</b>													
96	Mechanical Installation	3 days	Mon 9/3/07	Wed 9/5/07	92												
97	Electrical Installation	3 days	Thu 9/6/07	Mon 9/10/07	96,93												
98	Well Site Commissioning & Start-up	3 days	Tue 9/11/07	Thu 9/13/07	97												
99	<b>Well Site - 31</b>	<b>9 days</b>	<b>Thu 9/6/07</b>	<b>Tue 9/18/07</b>													
100	Mechanical Installation	3 days	Thu 9/6/07	Mon 9/10/07	96												
101	Electrical Installation	3 days	Tue 9/11/07	Thu 9/13/07	100,97												
102	Well Site Commissioning & Start-up	3 days	Fri 9/14/07	Tue 9/18/07	101												
103	<b>Well Site - 32</b>	<b>9 days</b>	<b>Tue 9/11/07</b>	<b>Fri 9/21/07</b>													
104	Mechanical Installation	3 days	Tue 9/11/07	Thu 9/13/07	100												
105	Electrical Installation	3 days	Fri 9/14/07	Tue 9/18/07	104,101												
106	Well Site Commissioning & Start-up	3 days	Wed 9/19/07	Fri 9/21/07	105												
107	<b>Well Site - 33</b>	<b>9 days</b>	<b>Fri 9/14/07</b>	<b>Wed 9/26/07</b>													
108	Mechanical Installation	3 days	Fri 9/14/07	Tue 9/18/07	104												
109	Electrical Installation	3 days	Wed 9/19/07	Fri 9/21/07	108,105												
110	Well Site Commissioning & Start-up	3 days	Mon 9/24/07	Wed 9/26/07	109												
111	<b>Well Site - 36</b>	<b>9 days</b>	<b>Wed 9/19/07</b>	<b>Mon 10/1/07</b>													
112	Mechanical Installation	3 days	Wed 9/19/07	Fri 9/21/07	108												
113	Electrical Installation	3 days	Mon 9/24/07	Wed 9/26/07	112,109												
114	Well Site Commissioning & Start-up	3 days	Thu 9/27/07	Mon 10/1/07	113												
115	<b>Well Site - 37</b>	<b>9 days</b>	<b>Mon 9/24/07</b>	<b>Thu 10/4/07</b>													
116	Mechanical Installation	3 days	Mon 9/24/07	Wed 9/26/07	112												
117	Electrical Installation	3 days	Thu 9/27/07	Mon 10/1/07	116,113												
118	Well Site Commissioning & Start-up	3 days	Tue 10/2/07	Thu 10/4/07	117												
119	<b>Well Site - 46</b>	<b>9 days</b>	<b>Thu 9/27/07</b>	<b>Tue 10/9/07</b>													
120	Mechanical Installation	3 days	Thu 9/27/07	Mon 10/1/07	116												
121	Electrical Installation	3 days	Tue 10/2/07	Thu 10/4/07	120,117												
122	Well Site Commissioning & Start-up	3 days	Fri 10/5/07	Tue 10/9/07	121												
123	<b>Well Site - 47</b>	<b>9 days</b>	<b>Tue 10/2/07</b>	<b>Fri 10/12/07</b>													
124	Mechanical Installation	3 days	Tue 10/2/07	Thu 10/4/07	120												
125	Electrical Installation	3 days	Fri 10/5/07	Tue 10/9/07	124,121												
126	Well Site Commissioning & Start-up	3 days	Wed 10/10/07	Fri 10/12/07	125												
127	<b>Well Site -69</b>	<b>9 days</b>	<b>Fri 10/5/07</b>	<b>Wed 10/17/07</b>													
128	Mechanical Installation	3 days	Fri 10/5/07	Tue 10/9/07	124												
129	Electrical Installation	3 days	Wed 10/10/07	Fri 10/12/07	128,125												
130	Well Site Commissioning & Start-up	3 days	Mon 10/15/07	Wed 10/17/07	129												
131	<b>Well Site - 70</b>	<b>9 days</b>	<b>Wed 10/10/07</b>	<b>Mon 10/22/07</b>													
132	Mechanical Installation	3 days	Wed 10/10/07	Fri 10/12/07	128												
133	Electrical Installation	3 days	Mon 10/15/07	Wed 10/17/07	132,129												
134	Well Site Commissioning & Start-up	3 days	Thu 10/18/07	Mon 10/22/07	133												



Project: City of Sioux Falls Schedule €  
Date: Mon 6/18/07

Task		Progress		Summary		External Tasks		Deadline	
Split		Milestone		Project Summary		External Milestone			